

Hydraulic switch with maximum efficiency and position-independent mounting

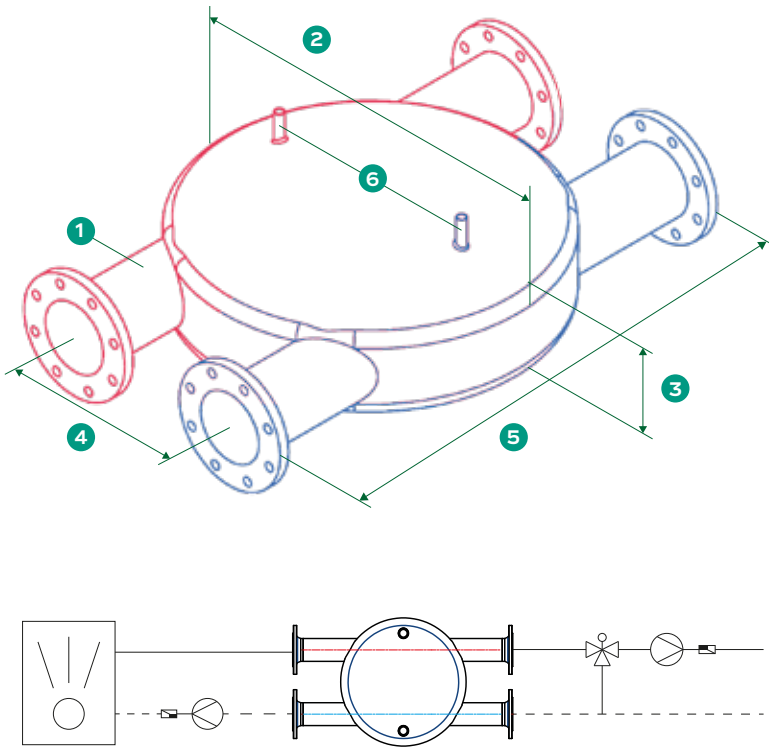


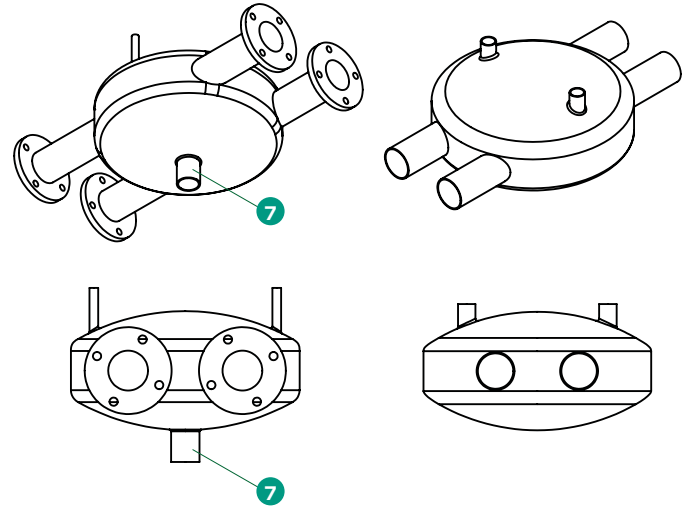
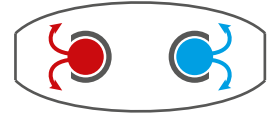
Fig. 2: Layout

Optimized separation of flow temperatures between producers and consumers.

- 1 DN connection
- 2 Diameter
- 3 Height
- 4 Center-Center dist.
- 5 Length overall
- 6 Measuring sleeves
- 7 Mounting

Fig. 1: Structure

Equalization of pressure differences by swelling or suction.



Zort-S	Body					Sleeve	Mounting
Model	1 Connection	2 Diameter	3 Height	4 Center dist.	5 Length	6 DN Length	7 DN Length
ZS-25	DN 25 ¹⁾	200 mm	110 mm	70 mm	440 mm	1/2" 30 mm	Not necessary
ZS-32	DN 32 ¹⁾	200 mm	130 mm	100 mm	440 mm	1/2" 30 mm	
ZS-40	DN 40 ¹⁾	300 mm	155 mm	110 mm	540 mm	1/2" 30 mm	
ZS-50	DN 50 ¹⁾	400 mm	220 mm	170 mm	640 mm	1/2" 30 mm	1" 30 mm
ZS-65	DN 65 ²⁾	450 mm	235 mm	225 mm	690 mm	1/2" 30 mm	1" 30 mm
ZS-80	DN 80 ²⁾	500 mm	260 mm	250 mm	840 mm	1/2" 100 mm	2" 50 mm
ZS-100	DN 100 ²⁾	600 mm	295 mm	280 mm	940 mm	1/2" 100 mm	2" 50 mm
ZS-125	DN 125 ²⁾	700 mm	350 mm	370 mm	1.040 mm	1/2" 100 mm	2" 50 mm
ZS-150	DN 150 ²⁾	800 mm	370 mm	390 mm	1.140 mm	1/2" 100 mm	2" 50 mm

¹⁾ Male thread connections ²⁾ Flanges PN 16

Design and function

With internal slots, corresponding to the required flow rates. In the event of unbalanced pressure ratios between producer and consumer, the water swells out or is sucked in. (Fig. 1)

The resulting straight flow in the two pipes suppresses turbulence. The separation of the flow and return temperatures is improved many times over. (Fig. 2)

Insulation

Prefabricated insulation of mineral wool or Armaflex + Stucco sheet cover.

Usage and benefits

- Ideal for condensing and biomass boilers, heat pumps and cascade circuits
- Maximum possible separation of flow and return
- Virtually resistance-free flow
- No flow vortices
- Volume flow compensation due to overflow or suction

Models / Options

- Material: Steel S 235 JR or Chrome steel
- Working pressure: 6 bar or 10 bar

Pricelist

We offer our hydraulic switches in the following standards at fixed prices:

Operating pressure 6 bar | Material Steel S235 JR | Mineral wool insulation

Variants with an operating pressure of 10 bar, chrome steel or Armaflex insulation are available at an extra charge.

Model	Connections	Price	Shipping and packaging		
ZS-25	DN 25 ¹⁾	€ 764,00	ZS-25 → ZS-125	Germany	€ 197,00
ZS-32	DN 32 ¹⁾	€ 840,00		Austria	€ 176,00
ZS-40	DN 40 ¹⁾	€ 899,00		Switzerland	€ 240,00
ZS-50	DN 50 ¹⁾	€ 1.053,00			
ZS-65	DN 65 ²⁾	€ 1.575,00	ZS-150	Germany	€ 558,00
ZS-80	DN 80 ²⁾	€ 1.680,00		Austria	€ 285,00
ZS-100	DN 100 ²⁾	€ 2.167,00		Switzerland	€ 310,00
ZS-125	DN 125 ²⁾	€ 2.485,00			
ZS-150	DN 150 ²⁾	€ 3.251,00			

Other countries will be charged according to current costs.
Self-pickup in 6912 Hörbranz AT is possible.

¹⁾ Male thread connections
²⁾ Flanges PN 16

Non-binding order request

Once we have received your order inquiry, we will inform you of the price at which your desired version is available. Only after your confirmation will the order be released and binding.

Model choice	Quantity	Operating pressure	Material	Isolierung
<input type="text"/>	<input type="text"/>	<input type="checkbox"/> 6 bar	<input type="checkbox"/> Steel S 235 JR	<input type="checkbox"/> Mineral wool
		<input type="checkbox"/> * 10 bar	<input type="checkbox"/> * Chrome steel V2	<input type="checkbox"/> * Armaflex
			<input type="checkbox"/> * Chrome steel V4	<input type="checkbox"/> * none

* Price deviation when selecting these variants.

Shipping to

Germany

Austria

Switzerland

Self-pickup

Other (please specify)

Additional notes:

_____/_____/_____

Country Postal Code Municipality